

(No Model.)

J. S. WOOLSEY.  
Gun for Killing Vermin.

No. 237,942.

Patented Feb. 15, 1881.

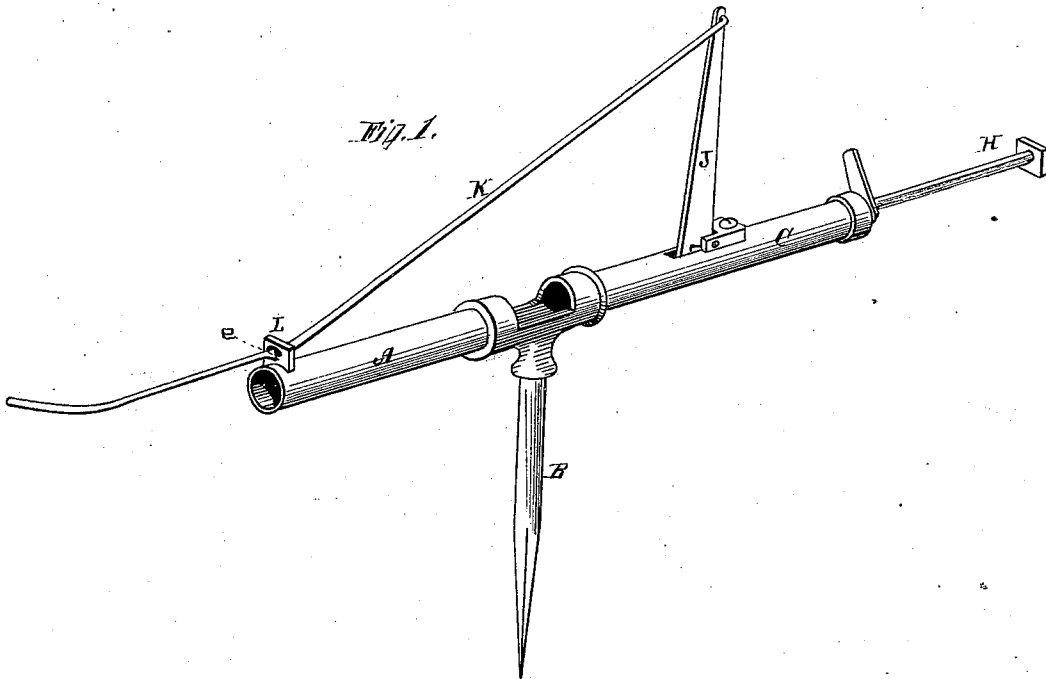


Fig. 1.

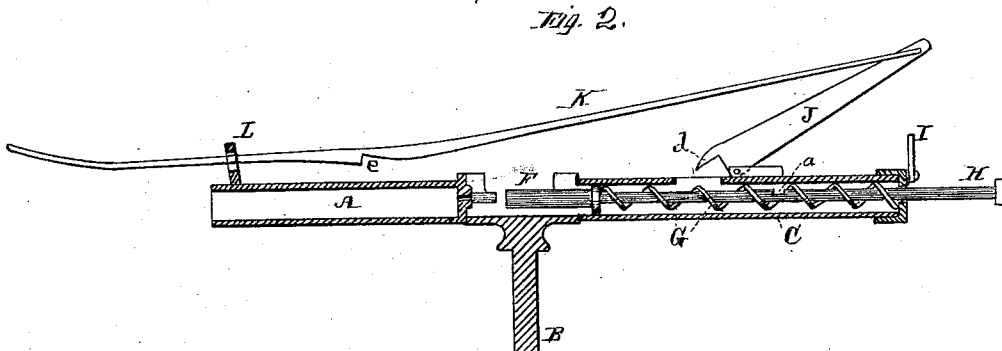
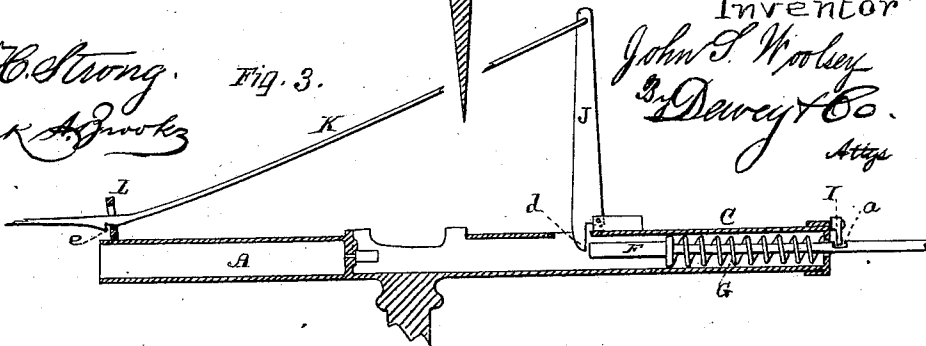


Fig. 2.

Witnesses:

*Geo. B. Strong*  
*Frank A. Jewkes*

Fig. 3.



Inventor  
*John S. Woolsey*  
*B. Dewey & Co.*  
Atty

# UNITED STATES PATENT OFFICE.

JOHN S. WOOLSEY, OF GILROY, CALIFORNIA.

## GUN FOR KILLING VERMIN.

SPECIFICATION forming part of Letters Patent No. 237,942, dated February 15, 1881.

Application filed November 18, 1880. (No model.)

To all whom it may concern:

Be it known that I, JOHN S. WOOLSEY, of Gilroy, county of Santa Clara, State of California, have invented a Gun for Killing Vermin; and I hereby declare the following to be a full, clear, and exact description thereof.

My invention relates to a gun for killing gophers, ground-squirrels, and other vermin, in which a peculiar construction of the device for discharging it constitutes the novelty.

Referring to the accompanying drawings for a more complete explanation of my invention, Figure 1 is a view of my device. Figs. 2 and 3 are longitudinal sections.

Let A represent the tube or barrel of the gun, provided with the pointed stand or leg B, whereby the gun is set upright in the ground at the mouth of the hole, and is prevented from being moved from its place. The barrel A extends to a point near the forward end of the upright leg B.

To the rear end, and in line with the barrel, is attached the guide C, which may be of any practical shape, in this case being tubular, so as to inclose and protect the firing pin or rod F and the spring G.

My device may be adapted to use either fixed or loose ammunition. When loose ammunition is used the breech will be closed by a permanent breech-block having a cap-nipple screwed into its rear end connecting with the powder-chamber. When fixed ammunition is used the breech-block may be hinged or otherwise arranged to be thrown open, so as to allow a cartridge to be introduced, and a firing-pin extending through it receives the impact of the bolt or hammer, so as to discharge the cartridge.

Within the tube or guide C is the firing rod or bolt F, operated by the spring G. The rod F extends beyond the guide and terminates in a nut or handle, H, for convenience in drawing it out. Its forward end is caused by the spring G to strike violently against the firing pin or cap, so as to discharge the gun. On the rod F is the notch a, into which the latch

I on the end of the guide C falls, whereby the rod is held after being drawn out, thus allowing the trigger to be set.

Pivoted to the guide C is the upright trigger or latch J, with its catch d, which, when the trigger J is pressed forward, fits over the end of the rod F. The trigger J is held forward by the rod K, which extends from its upper end over the top of the barrel and through the guide L, as shown, after passing which it is again curved upward and the end preferably flattened to better insure its operation. A small notch, e, on the under side of the rod K is caught by the guide L, and the rod is thus held. The notch e is so placed that when caught the trigger J will be pulled forward sufficiently to cause its catch d to engage and hold the end of the rod F. The latch I is then raised out of the notch a. The rod F is held back by the trigger J and rod K.

When the gun is loaded and secured in the ground at the entrance of the hole of a gopher or squirrel, the animal, in coming toward it, will pass under the turned-up end of the rod K, and raise it so that its notch e is released from the guide L and the gun is discharged.

Having thus described my invention, what I claim as new, and desire to secure by Letters Patent, is—

1. A gun consisting of the barrel A, stand or leg B, firing rod or bolt F, spring G and trigger J, rod K, and guide L, whereby the rod F is held back until tripped, substantially as and for the purpose herein described.

2. A gun with its barrel A, firing rod or bolt F, spring G, trigger J, and tripping-rod K, in combination with the safety-latch I, adapted to fall into a notch upon the firing rod or bolt F, whereby the lever is held until the trigger is set, substantially as described.

In witness whereof I have hereunto set my hand.

JOHN S. WOOLSEY.

Witnesses:

CHAS. W. PEDLAR,  
D. A. DRYDEN.